

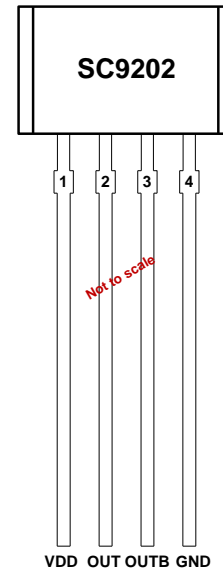
---

**Self-Adjusting Hall-Effect Gear Tooth Sensor IC  
with Complementary Output**

---

**Features**

- Complementary output signal
- Insensitive to orientation
- Short circuit protection
- 4.5 to 24V supply operating range
- No chopper delay applications
- Wide operating temperature range
- Output protection against electrical disturbances
- RoHs compliant

**Description**

The SC9202 is a sophisticated IC featuring an on-chip 10-bit A/D Converter and logic that act as a digital sample and hold circuit. A separate 4-bit D/A converter provides a fixed hysteresis. The SC9202 does not have a chopper delay and uses a single Hall plate which is immune to rotary alignment problems.

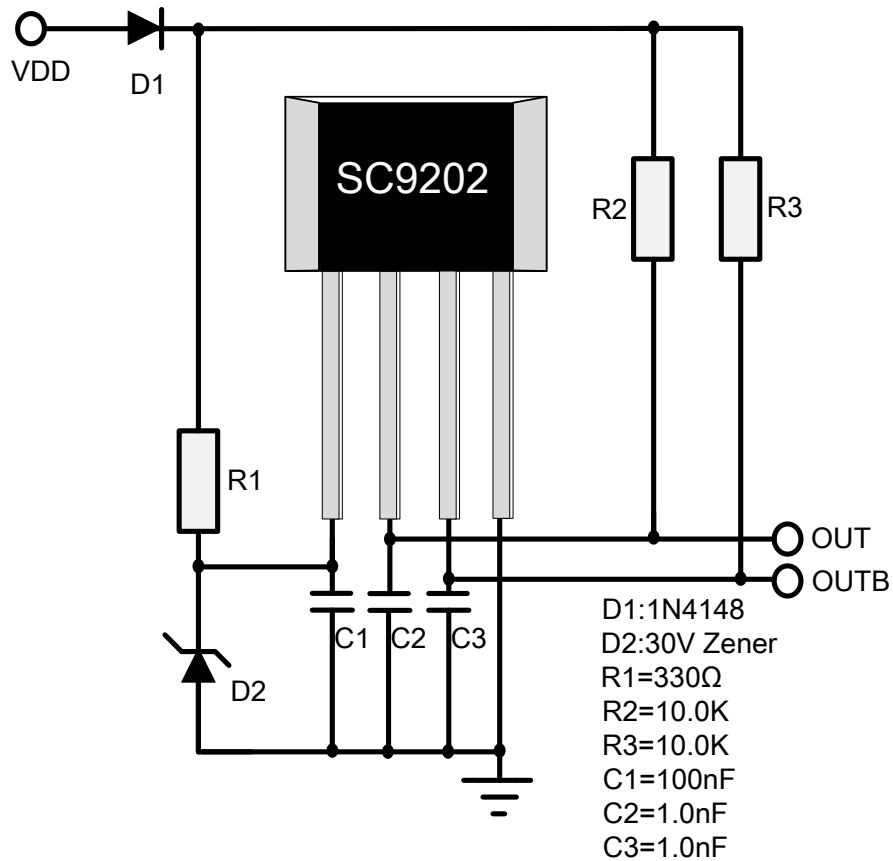
The complementary outputs (OUT and OUTB) are provided in SC9202. The OUT will turn off ( $B_{RP}$ ) after the flux has reached its peak and then decreased by an amount equal to the hysteresis. Similarly the OUT will turn on ( $B_{OP}$ ) after the flux has reached its minimum value and then increased by an amount equal to the hysteresis.

The device is available in a 4-pin SIP package and is lead (Pb) free, with 100% matte tin leadframe plating.

**Device Information**

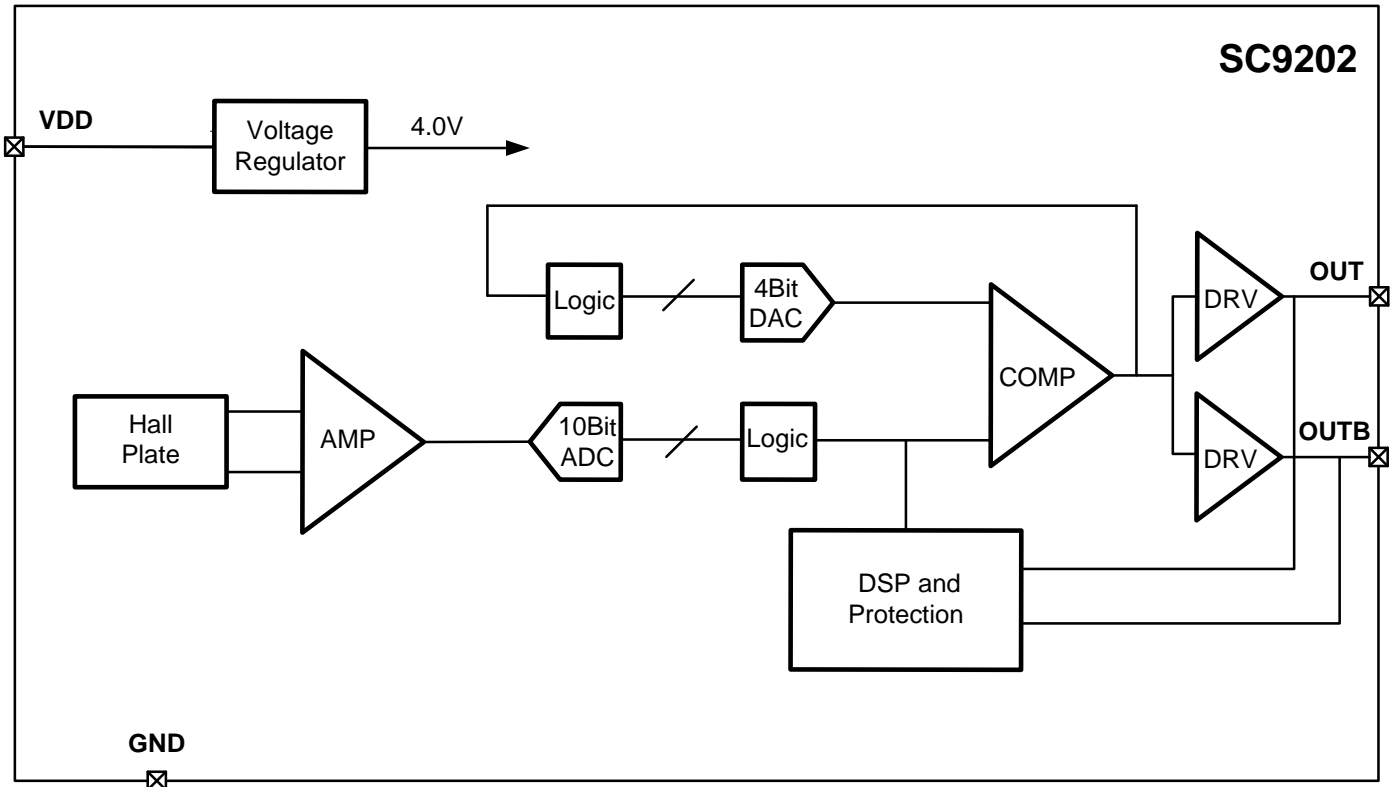
<b>Part Number</b>	<b>Packing</b>	<b>Mounting</b>	<b>Ambient, T<sub>A</sub></b>	<b>Marking</b>
SC9202VB	Bulk, 500 pieces/bag	4-pin SIP	-40°C to 150°C	9202

## Terminal Configuration and Application Circuit



Terminal		Type	Description
Name	Number		
VDD	1	PWR	4.5V to 24 V power supply
OUT	2	Output	Open-drain output required a pull-up resistor
OUTB	3	Output	Open-drain output required a pull-up resistor
GND	4	Ground	Ground

## Functional Block Diagram



## Functional Description

In the case of ferromagnetic toothed wheel application the IC has to be biased by the South pole of a permanent magnet (Maximum 400mT). When assemble the sensor system, a magnet as back bias flux from 100mT to 400mT is suggested. Normally the South pole of magnet faces the unbranded side of the IC and be glued to the back surface (non branded side) of the IC using an adhesive or suitable epoxy. Duo to the SC9202's "Self-adjusting" over a wide range of back bias flux, the need for any trimming in the application is eliminated.

At the chip power on state, if the power is raised quickly and the output is reset to the high state whatever the field is. The output will change to low after the flux has reached its minimum value and then increased by an amount equal to the hysteresis. The output will change to high after the flux has reached its peak and then decreased by an amount equal to the hysteresis similarly. However if the supply is raised slowly, then the reset state is not determined; the output can be either high or low.

It is strongly recommended that an external ceramic bypass capacitor in the range 10nF to 1uF be connected between the supply and ground of the device to reduce external noise. The series resistor in combination with the bypass capacitor creates a filter for EMC pulse.

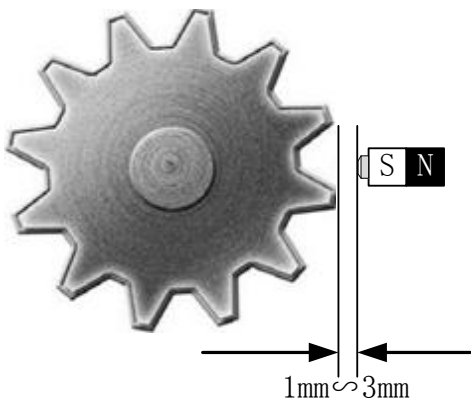
The pull-up resistor should be chosen to limit the current though the output transistor, without exceeding the maximum continuous output current of the device.

## Gear Tooth Sensing

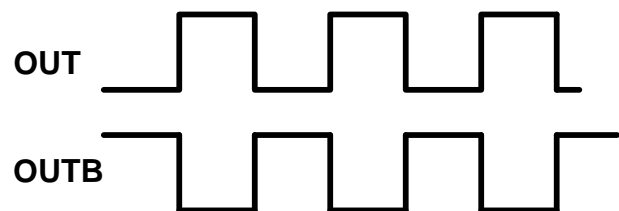
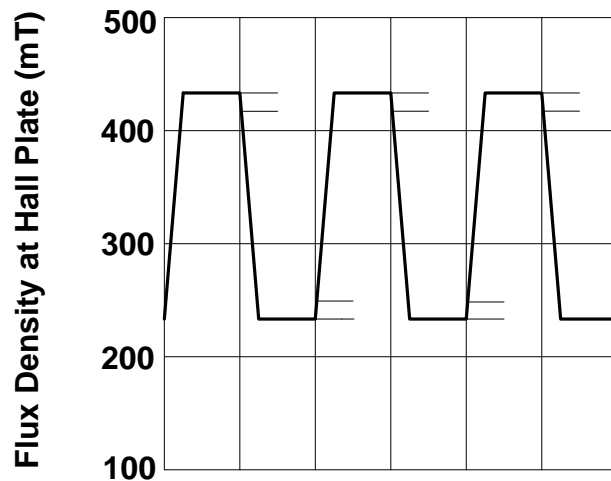
In the case of ferromagnetic toothed wheel application the IC has to be biased and only biased by the South pole of a permanent magnet which should cover both Hall probes

The maximum air gap depends on

- the magnetic field strength (magnet used; pre-induction), and
- the toothed wheel that is used (dimensions, material, etc.)



Switch Points v.s. Magnetic Singal



## Absolute Maximum Ratings

over operating free-air temperature range

Parameter	Symbol	Min.	Max.	Units
Power supply voltage	$V_{DD}$	-0.5	30	V
Output terminal voltage	OUT	-0.5	30	V
Output terminal current sink	$I_{SINK}$	0	30	mA
Operating ambient temperature	$T_A$	-40	150	°C
Maximum junction temperature	$T_J$	-55	165	°C
Storage temperature	$T_{STG}$	-65	175	°C

Note: Stresses above those listed here may cause permanent damage to the device. Exposure to absolute maximum rating conditions for extended periods may affect device reliability.

## ESD Protection

Human Body Model (HBM) tests according to: standard EIA/JESD22-A114-B HBM

Parameter	Symbol	Limit Values		Units
		Min.	Max.	
ESD-Protection	$V_{ESD}$	-4	4	KV

## Operating Characteristics

over operating free-air temperature range ( $V_{DD}=12V$ , unless otherwise noted)

Symbol	Parameter	Test Conditions	Min.	Typ.	Max.	Units
$V_{DD}$	Operating voltage	$T_J < T_{J(max)}$	4.5	--	24	V
$I_{DD}$	Operating supply current	$V_{DD}=4.5V$ to 24 V	1.0	2.0	3.5	mA
$V_{Qsat}$	Output saturation voltage	$I_O=20mA$ , $T_A=25^\circ C$	--	150	400	mV
$I_{QL}$	Output leakage current	$V_{DD} < 24V$	--	--	10	$\mu A$
$P_{OS}$	Power-on state	$V_{DD}=4.5V$ to 24 V	--	--	--	
$t_{rp}^1$	Response time	$V_{DD}>4.5V$ , $f=1kHz$	0	--	50	mS
$t_r^2$	Output rise time	$R1=1Kohm$ $Co=20pF$	--	--	0.5	$\mu S$
$t_f$	Output fall time	$R1=1Kohm$ $Co=20pF$	--	--	0.5	$\mu S$
$f_{cu}$	Upper corner frequency	-3dB, single pole	20	--	--	kHz
$f_{cl}$	Lower corner frequency	-3dB, single pole	--	0	--	Hz
Magnetic Characteristics						
$B_{Back}$	Pre-induction		-3	--	400	mT
$B_{OP}$	Turn on hysteresis	$B_{Back}=300mT$	1.5	3.0	4.5	mT
$B_{RP}$	Turn off hysteresis	$B_{Back}=300mT$	1.5	3.0	4.5	mT
--	Linear Region	$V_{DD}=4.5V$ to 24 V	50	0	400	mT

$1mT=10Gs$

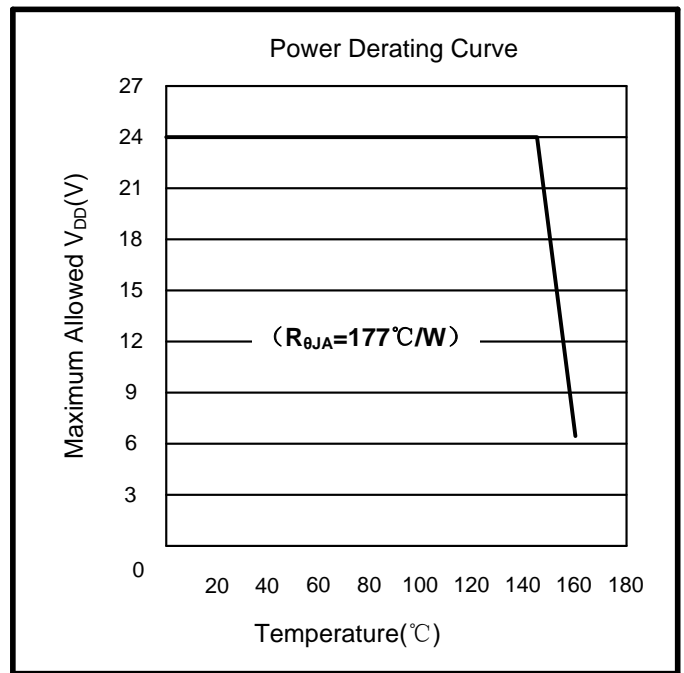
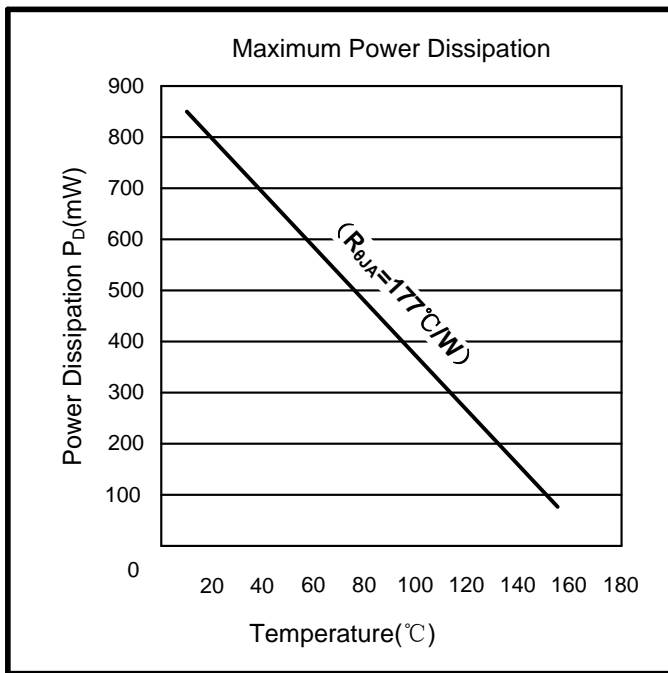
<sup>1</sup>Time required to initialize device.

<sup>2</sup>Output Rise Time will be dominated by the RC time constant.



### Thermal Characteristics

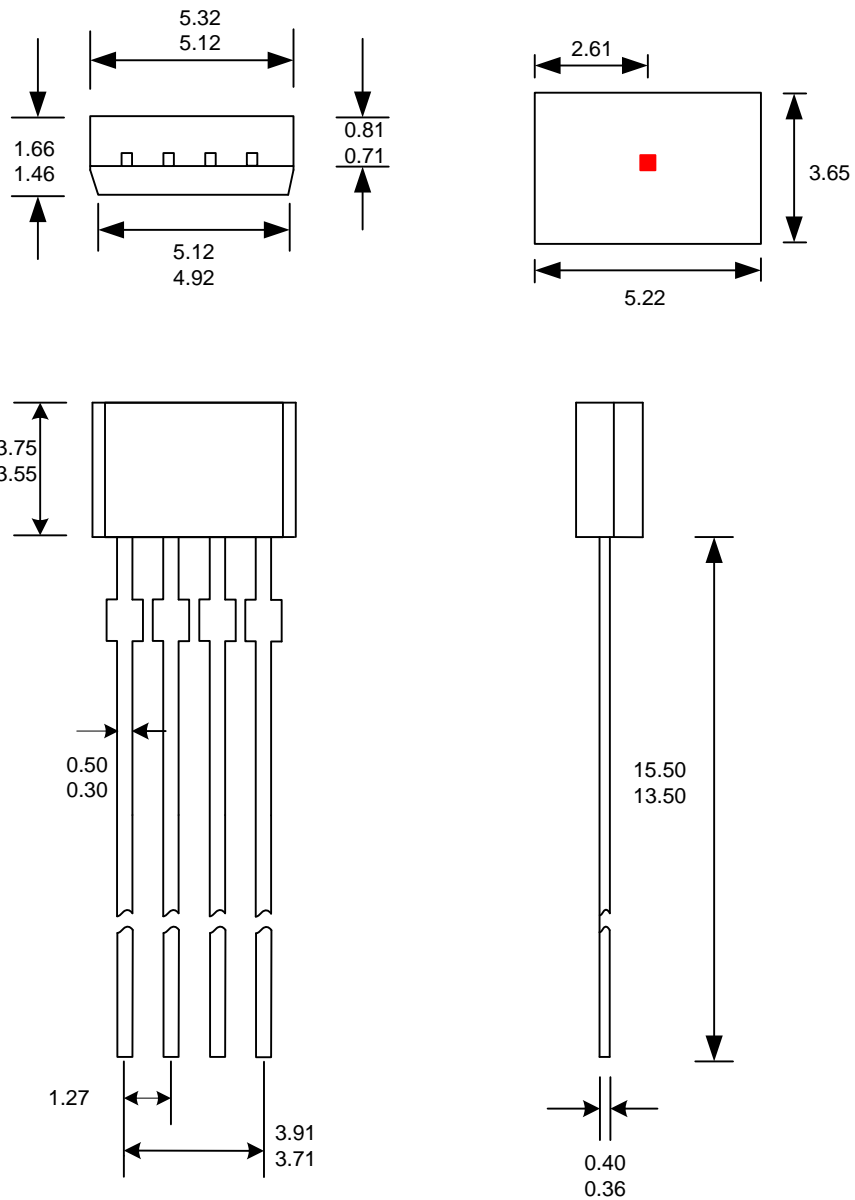
Symbol	Parameter	Test Conditions	Rating	Units
$R_{\theta JA}$	Package thermal resistance	Single-layer PCB, with copper limited to solder pads	177	$^{\circ}\text{C}/\text{W}$



## Package Designator

### 4-Terminal VB Package

Dimension:mm



**Notes:**

1. Exact body and lead configuration at vendor's option within limits shown.
2. Height does not include mold gate flash.

Where no tolerance is specified, dimension is nominal.